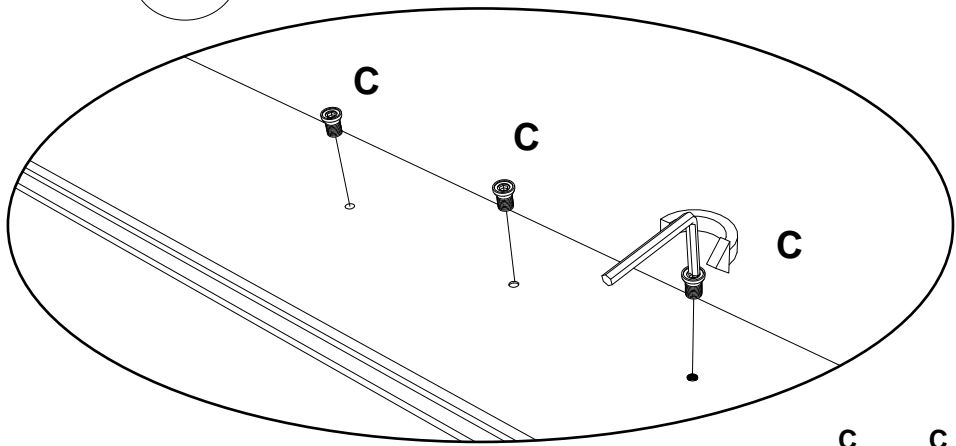
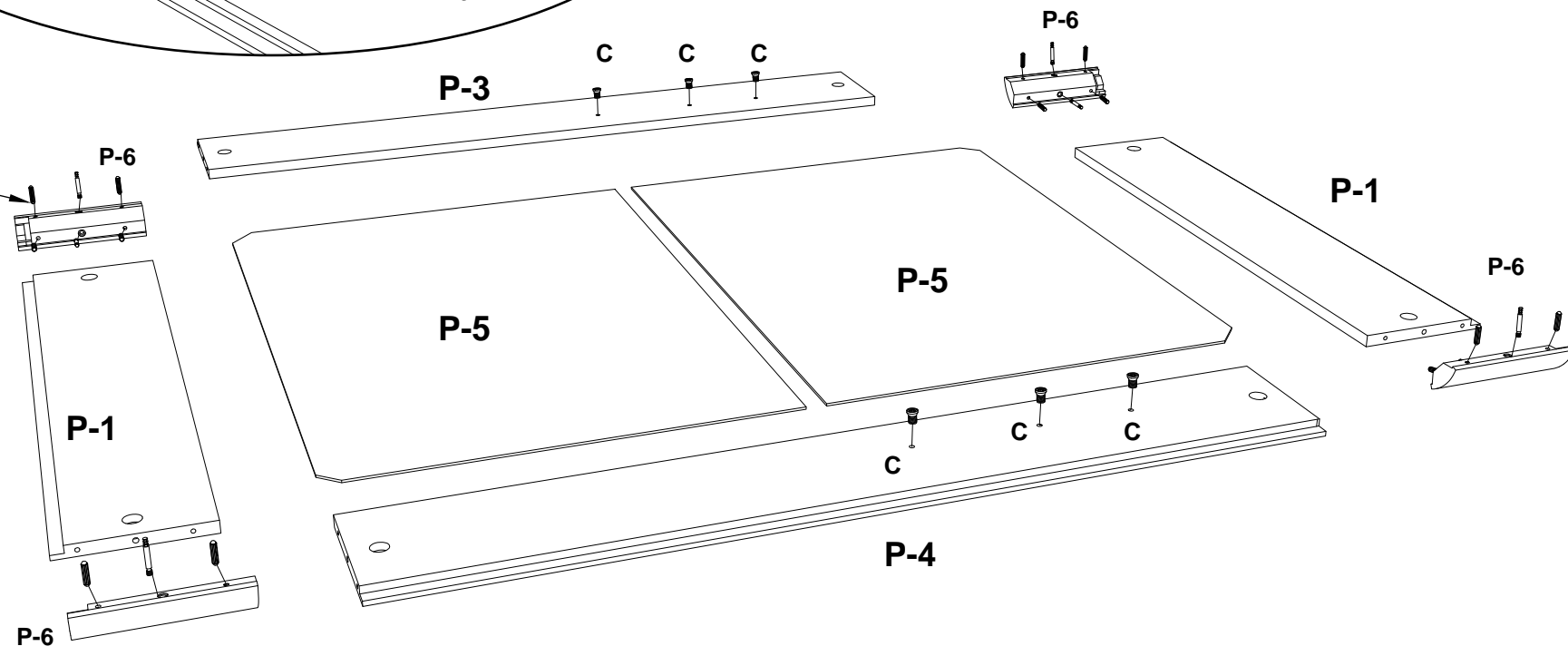
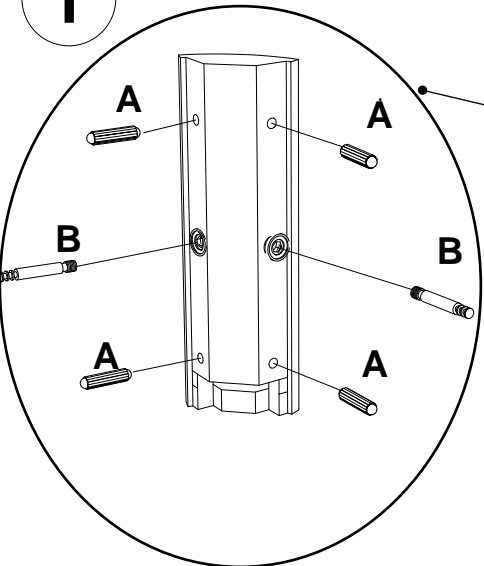




2



1



- |              |             |             |             |              |             |            |             |
|--------------|-------------|-------------|-------------|--------------|-------------|------------|-------------|
| <b>A X16</b> | <b>B X8</b> | <b>C X6</b> | <b>D X8</b> | <b>E X16</b> | <b>FX10</b> | <b>GX8</b> | <b>H X1</b> |
|              |             |             |             |              |             |            |             |

